



ASSEMBLY INSTRUCTIONS

- CAUTION:** 1. TURN OFF THE ELECTRICITY AT THE FUSE BOX OR CIRCUIT BREAKER BEFORE INSTALLATION.
2. RISK OF FIRE: DO NOT LAMP FIXTURE GREATER THAN THE MAXIMUM WATTAGE SHOWN ON THE WATTAGE LABELS ON THE FIXTURE.
3. IF YOU ARE UNFAMILIAR WITH ELECTRIC WIRING, CONSULT A QUALIFIED ELECTRICIAN TO INSTALL THIS FIXTURE FOR YOU.
4. THIS FIXTURE HAS BEEN CAREFULLY INSPECTED AND PACKED TO ENSURE PROTECTION TO GLASS. TAKE PARTICULAR CARE WHEN REMOVING GLASS FROM THE BOX AND MOUNTING IT ONTO THE FRAME, AS IT IS EXTREMELY FRAGILE.

Attention:

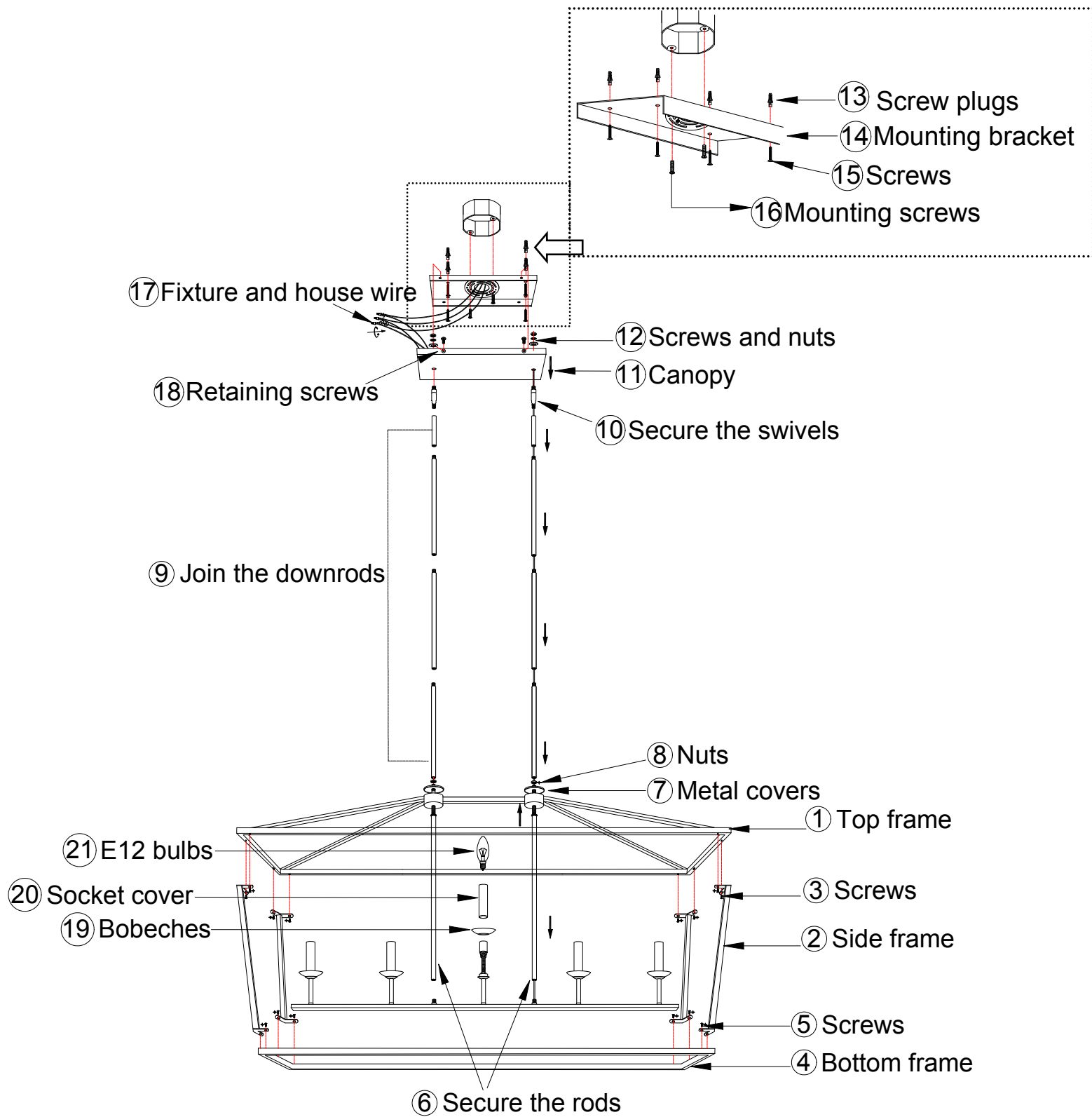
Veillez couper l'électricité de votre boîte de disjonction avant l'installation.

Risque de feu: N'utilisez pas d'ampoule avec plus de watts que le maximum recommandé.

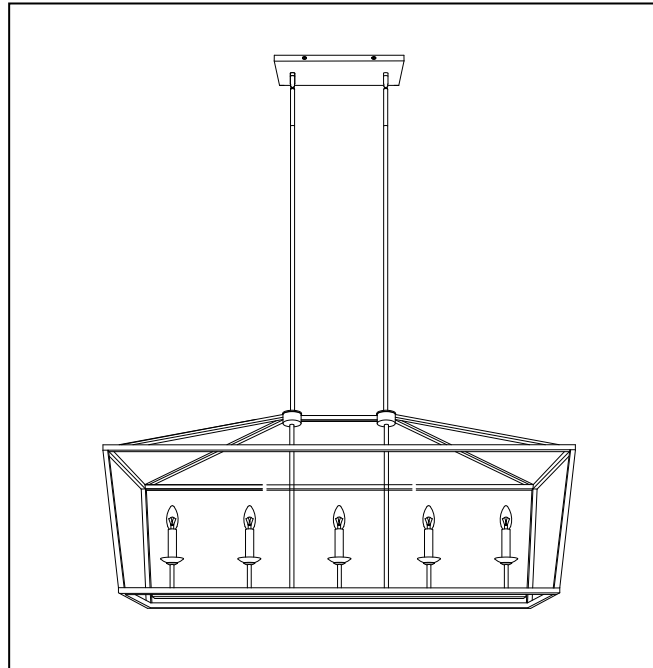
Si vous n'êtes pas familié avec l'électricité, veuillez consulter un électricien pour l'installation de votre luminaire.

Ce luminaire a été vérifié et emballé avec grand soin pour une protection maximale de votre verre. A cause de la fragilité de ce verre, S.V.P. toujours manipuler ce verre minutieusement.

1. PRENEZ SOIGNEUSEMENT LE MONTAGE HORS DU LE CARTON, ET VÉRIFIENT QUE TOUTES PIÈCES SONT INCLUSES SE RAPPORTANT À CE QUI PRÉCÈDE SCHÉMA. SOYEZ SÛR DE NE MAL PLACER AUCUNE PIÈCE QUI SONT NÉCESSAIRE POUR INSTALLER CECI MONTAGE.



Reference drawing after assembly:



**A4836 & A4848
ASSEMBLY INSTRUCTION**

CAREFULLY TAKE THE FIXTURE OUT OF THE CARTON, AND CHECK THAT ALL THE PARTS ARE INCLUDED (REFERRING TO THE FIXTURE DRAWING). BE SURE NOT TO MISPLACE ANY PARTS THAT ARE NEEDED TO INSTALL THIS FIXTURE.

1. SECURE TOP FRAME (1) ONTO SIDE FRAME (2) TOGETHER WITH SCREWS (3). THEN SECURE THE ASSEMBLED FRAME (1) & (3) TO BOTTOM FRAME (4) WITH SCREWS (5).
2. SECURE THE RODS (6) TO LIGHT BAR AND SECURE ONTO THE ASSEMBLED FRAME. THEN FIX METAL COVERS (7) WITH NUTS (8).
3. ASSEMBLE FIXTURE BY JOINING NECESSARY RODS (9) NEEDED FOR REQUIRED HEIGHT.
4. ATTACH SWIVELS (10) ON THE CANOPY (11) WITH SCREWS AND NUTS (12).
5. ATTACH MOUNTING BRACKET (14) TO THE ELECTRICAL BOX, USING SCREW PLUGS (13) AND SCREWS (15) THEN SECURE TO THE ELECTRICAL BOX WITH MOUNTING SCREWS (16).
6. ATTACH THE FIXTURE WIRE TO THE HOUSE WIRE (17), FOLLOWING THESE STEPS.
 - (A) CONNECT GROUND WIRE FROM FIXTURE TO GROUND WIRE (SCREW) IN THE ELECTRICAL BOX.
 - (B) CONNECT WHITE (NEUTRAL) WIRE FROM THE FIXTURE TO WHITE WIRE IN THE ELECTRICAL BOX.
 - (C) CONNECT BLACK (HOT) WIRE FROM THE FIXTURE TO THE BLACK WIRE IN THE ELECTRICAL BOX.
7. SECURE THE CANOPY (11) TO THE MOUNTING BRACKET (14) WITH RETAINING SCREWS (18).
8. ATTACH BOBECHE (19) AND SOCKET COVER (20) ONTO THE FIXTURE.
9. ATTACH THE BULBS (NOT INCLUDED) (21) TO THE SOCKETS.